

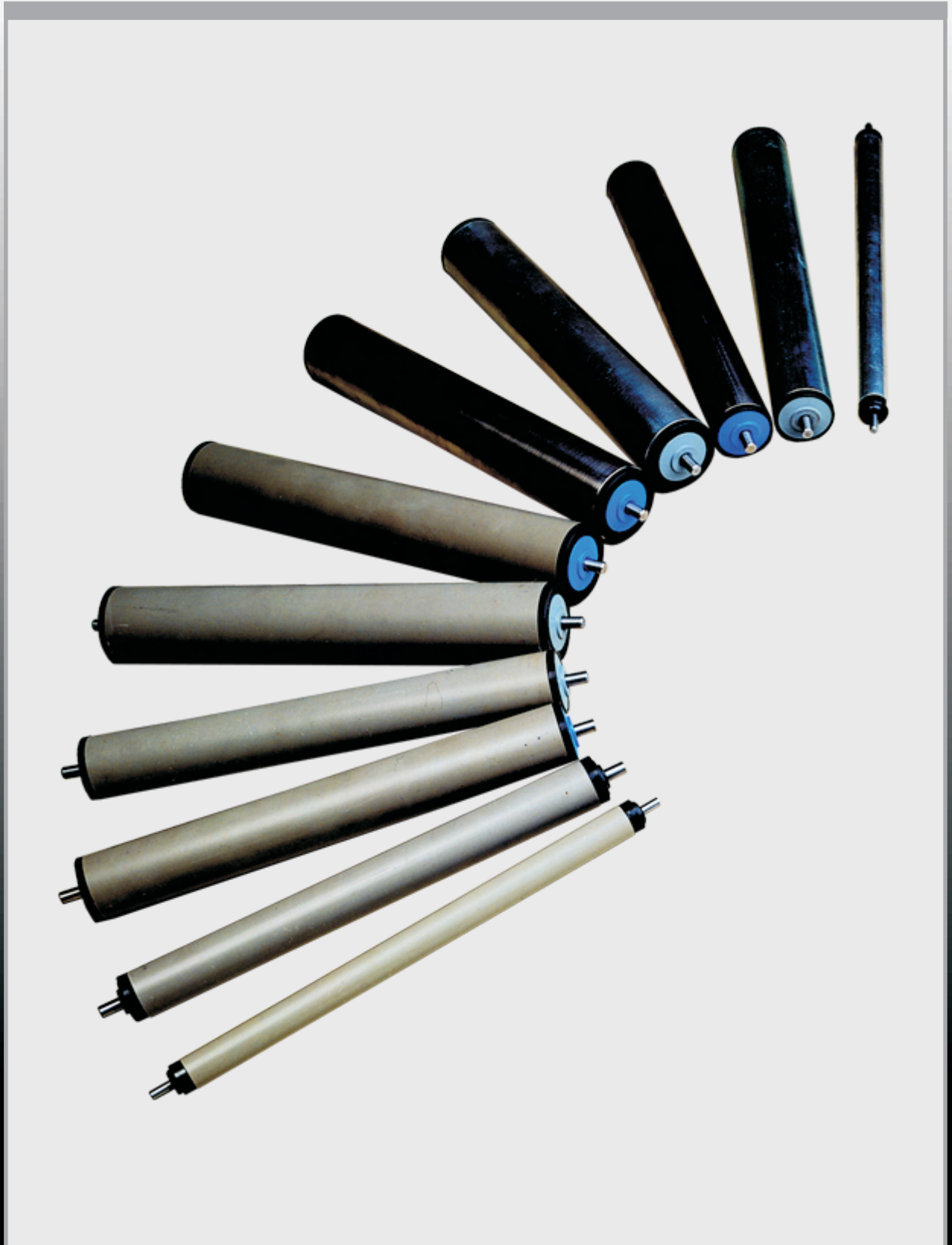
CONVEX

○ ● ● technology S.L.

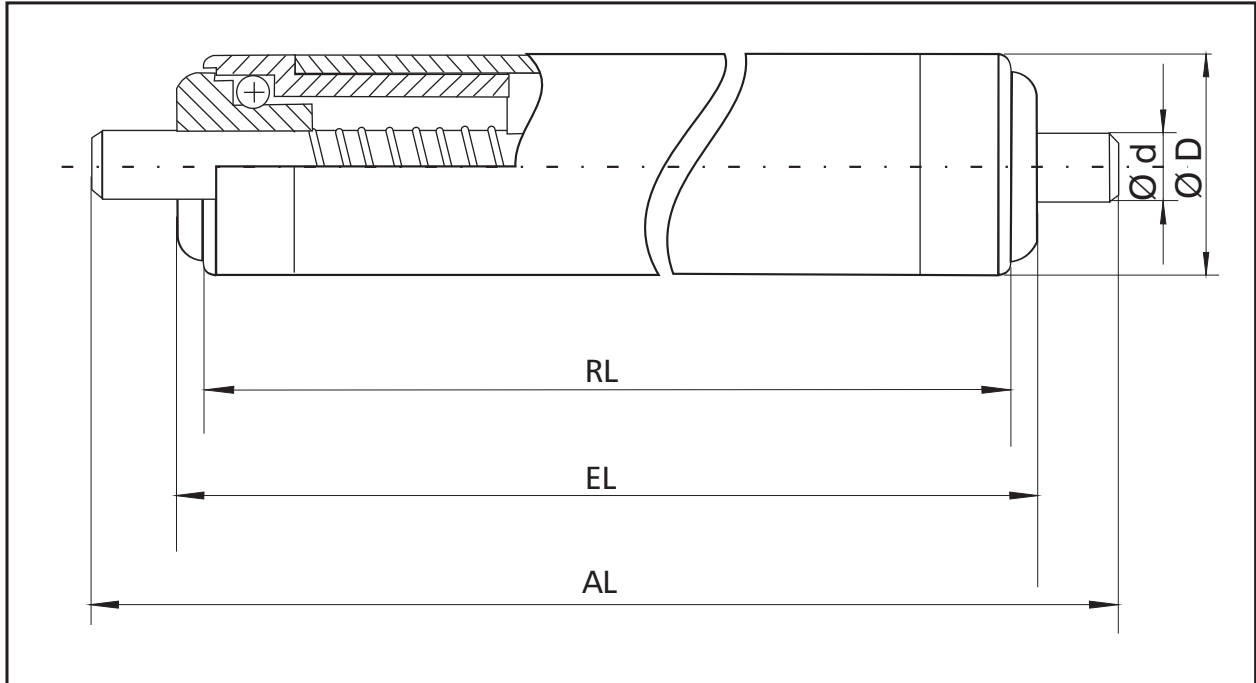
Logistics and packaging systems



serie CX100



Rodillos serie CX100



Todos los rodillos llevan doble muelle interior.

MODELO	$\varnothing D$	$\varnothing d$	T. EJE	LONG. RODILLO		AL			ACABADO EJE			MATERIALES		
				RL	EL	L	X	P	L	X	P	TUBO	EJE	RODM
CX 100	16	6	RETRAC	100-400	RL + 2	RL + 28	RL + 28		$\varnothing 06$	M06		MET-INX	MET	Bolas Libres INX
	20	6		100-500	RL + 4	RL + 28	RL + 28		$\varnothing 06$	M06		PVC-MET-INX-AL		
	30	8		100-700	RL + 4	RL + 34	RL + 34	RL + 34	$\varnothing 08$	M08	30x5	PVC-MET		
	40	8		100-1000	RL + 6	RL + 34	RL + 34	RL + 34	$\varnothing 08$	M08	30x5	PVC-MET-INX		
	40	10							$\varnothing 10$	M10	30x6	PVC-MET-INX		
	50	8		100-1000	RL + 6	RL + 34	RL + 34	RL + 34	$\varnothing 08$	M08	30x5	PVC-MET-AL		
	50	10							$\varnothing 10$	M10	30x6	PVC-MET-AL		
	50,8	8		100-1000	RL + 6	RL + 34	RL + 34	RL + 34	$\varnothing 08$	M08	30x5	INX		
	50,8	10							$\varnothing 10$	M10	30x6	INX		
	60	8		100-1000	RL + 6	RL + 34	RL + 34	RL + 34	$\varnothing 08$	M08	30x5	MET		
	60	10							$\varnothing 10$	M10	30x6	MET		
	63	8							$\varnothing 08$	M08	30x5	PVC		
	63	10							$\varnothing 10$	M10	30x6	PVC		

Acabado eje: L = Retrácil Liso X = Retrácil Rosca Exterior P = Plano

CONVEX

● ● ● technology S.L.
Logistics and packaging systems

C/ Balmes, 184 - 5º 4ª - 08006 Barcelona (España) - Tel. 93 706 52 28
info@convex-technology.es - <http://www.convex-technology.es>

cadex[®]